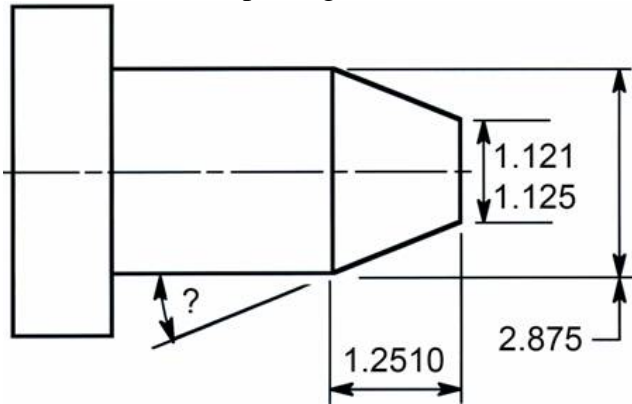
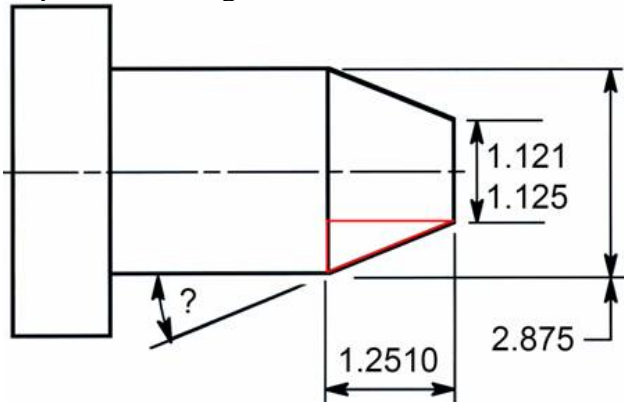


5. Calculate the taper angle.



Solution:

step 1. find triangle



step 2. label known & needed



step 3. select trig rule = use TAN

step 4. $\tan \text{ angle} = \text{opp} / \text{adj}$

$$\tan \text{ angle} = 0.876 / 1.2510$$

$$\text{angle} = \mathbf{35 \text{ degrees}}$$